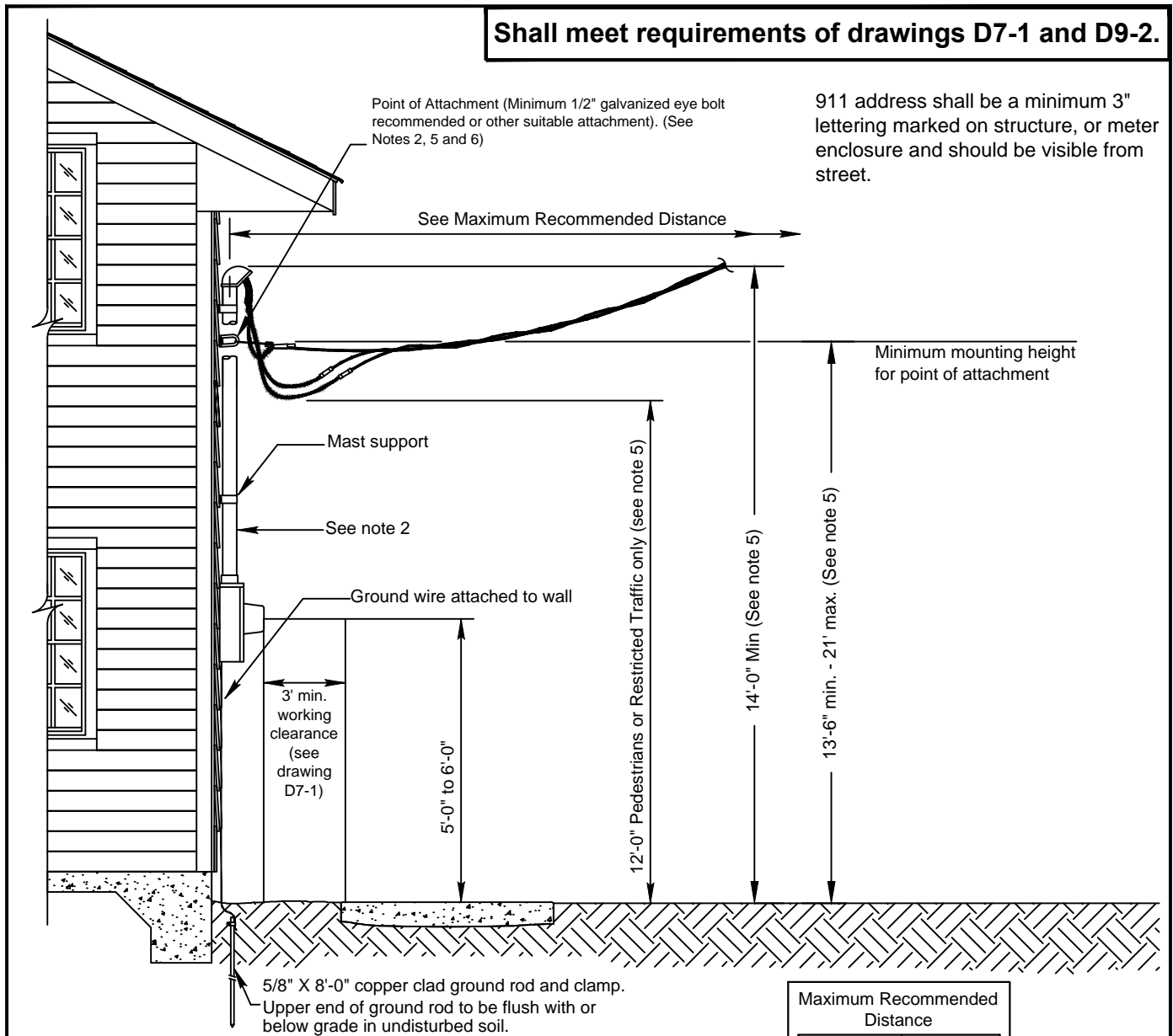


Shall meet requirements of drawings D7-1 and D9-2.



911 address shall be a minimum 3" lettering marked on structure, or meter enclosure and should be visible from street.

Point of Attachment (Minimum 1/2" galvanized eye bolt recommended or other suitable attachment). (See Notes 2, 5 and 6)

See Maximum Recommended Distance

Minimum mounting height for point of attachment

Mast support

See note 2

Ground wire attached to wall

3' min. working clearance (see drawing D7-1)

5'-0" to 6'-0"

12'-0" Pedestrians or Restricted Traffic only (see note 5)

14'-0" Min (See note 5)

13'-6" min. - 21' max. (See note 5)

5/8" X 8'-0" copper clad ground rod and clamp.
Upper end of ground rod to be flush with or below grade in undisturbed soil.

Maximum Recommended Distance	
Amps	Length
100	100'
200	75'
320	40'

NOTES:

- Customer facilities shall comply with Company Standards, the National Electrical Code (NEC), and authorities having jurisdiction.
- Customer shall install meter enclosure, conduit, weatherhead, point of attachment and conductor to point of attachment.
- A minimum of 3'-0" of each conductor shall extend from the top of the service mast. The neutral shall be marked with white tape at both ends. Neutral can be bare.
- Main breaker should be within 2'-0" of meter. Outside wall is recommended.
- Clearance. (See Section 7.3)
 - Point of attachment shall be either accessible to Company's bucket truck or have enough surface (such as wall or building structure) and sufficient ground space.
 - Additional height may be required to maintain clearance.
 - Point of attachment can be no higher than 21'.
 - Minimum 10'-0" height to bottom of drip loop allowed when all traffic under wire does not exceed 8'-0" height.
- No telephone or cable attachment allowed on mast (NEC).
- Any Service greater than 200 amps, consult the Company.

Minimum Customer Wiring Size - Residence Single Phase				
METER SIZE	CONDUIT SIZE	Current carrying & neutral wire size (per NEC)		COPPER GROUND WIRE SIZE
		ALUMINUM	COPPER	
100 Amp	1.5"	#2	#4	#6
200 Amp	2"	4/0	2/0	#4
320 Amp	3"	500	350	#2


Wire sizes based upon customer breaker size
For 3Ø, consult the company, Commercial & Industrial wire sizes are typically larger.

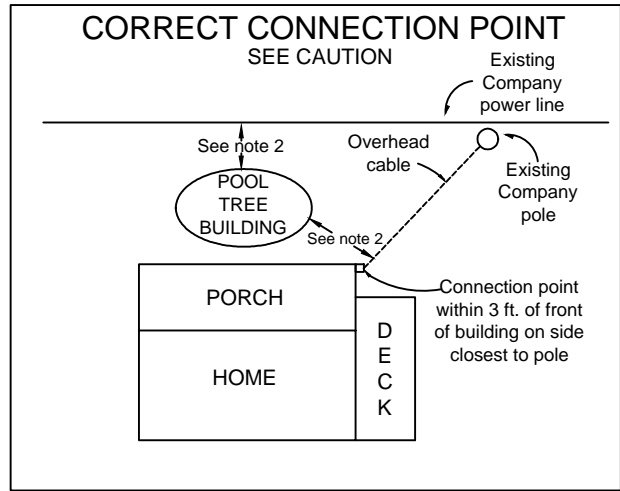
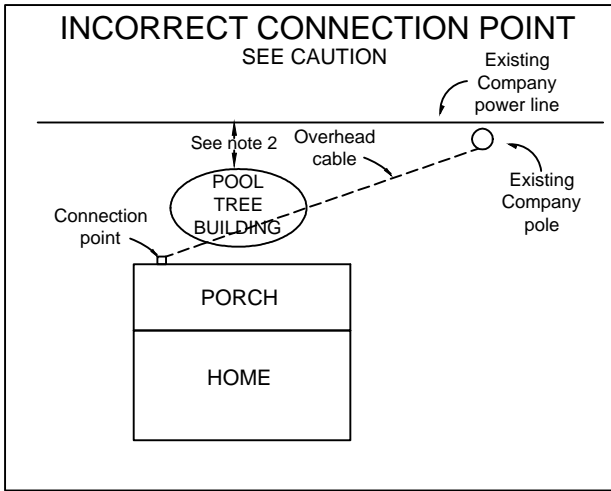
ENTERGY SERVICES, INC.

TYPICAL PERMANENT OVERHEAD SERVICE (UNDER ROOF LINE)

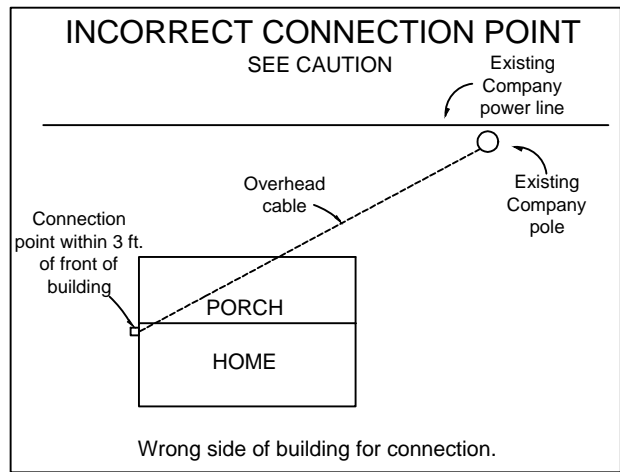
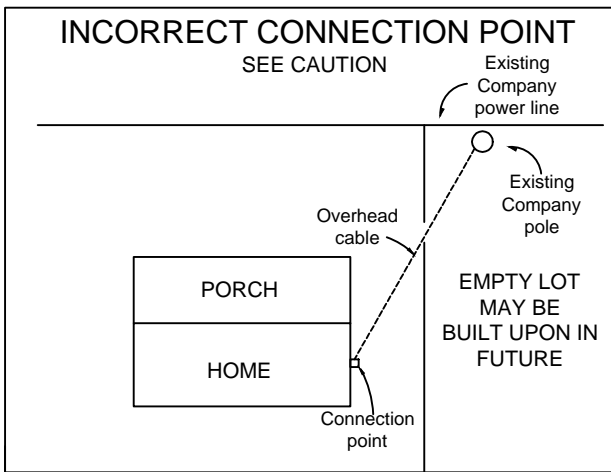
APPROVED BY: JRH DATE: 10/24/2012
 CHECKED BY: JED SCALE: 1/8"=1'-0"
 DRAWN BY: krich95

2	7/2017	UPDATED NOTES	ERG
1	10/12	REVISION OF DRAWING SS7.1-1	JED
NO.	DATE:	REVISION	BY: APPR:

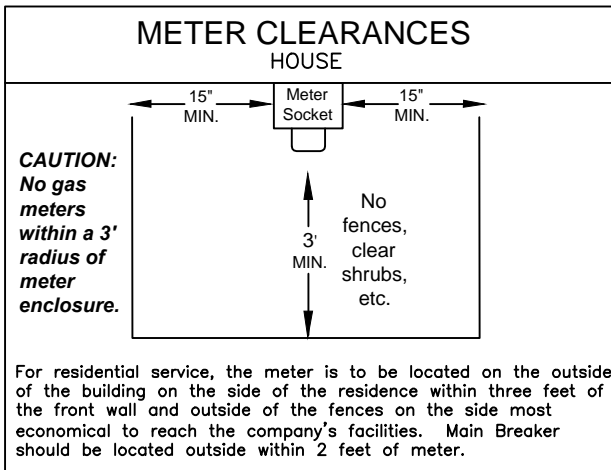
 No. **D7-2**
 PLOT 1=1 SH. 1 OF 1



The Company will not install an electrical facility over a pool, building, shed, or deck.



Right of way for power line shall be on customer's land or customer shall get right of way from property owner.



CAUTION :
Connection points, when such obstructions interfere with an overhead service, may need to be moved or converted to underground (if possible), at the customers expense.

TABLE	
Maximum Recommended Distance	
Amps	Length
100	100'
200	75'
320	40'

CALL 811 TWO BUSINESS DAYS BEFORE YOU DIG

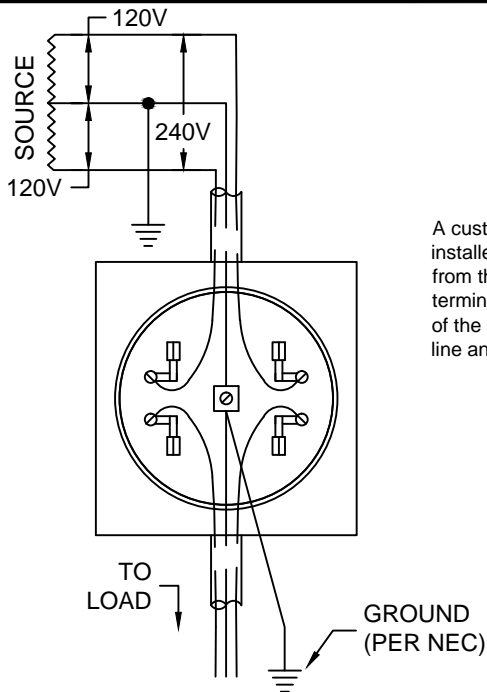
In locations with underground facilities, the Customer shall notify One Call and shall have One Call locate all underground facilities before digging. It shall be the responsibility of the Customer to stay clear of all underground facilities.

Notes:

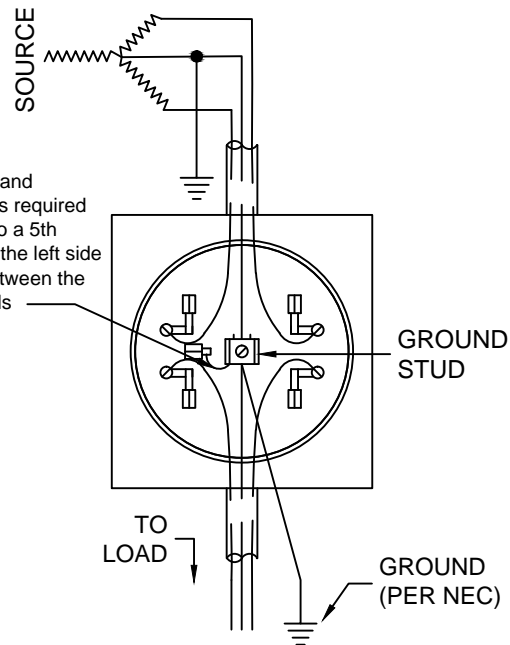
1. NEVER build structures under or over existing electrical lines or facilities. Check with the Company for clearances.
2. Contact Company for clearances prior to pool construction.
3. See Section 9.4 for meter location. Connection point shall be pre-approved by the Company.
4. See TABLE for maximum recommended service lengths. Longer lengths than those in the table may require the Company to install an additional pole. This may involve additional cost (typically \$1500 or more), to the customer.
5. The Customer is responsible for clearing and maintaining all right of way.

2	06/15/17	Revised notes as needed.	ERG
1	01/13	REVISION OF DRAWING SS7.2-1	JED
NO.	DATE:	REVISION	BY: APPR:

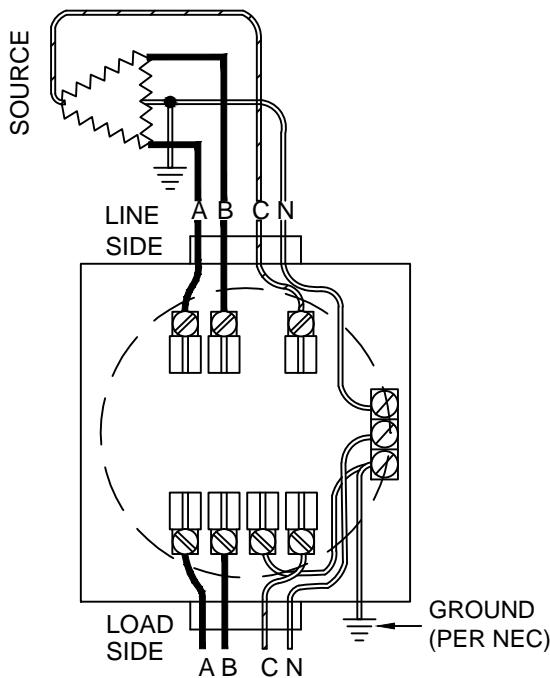
ENERGY SERVICES, INC.	
OVERHEAD SERVICE INSTALLATION DETAILS	
APPROVED BY: JRH	DATE: 01/09/2013
CHECKED BY: JED	SCALE: None
DRAWN BY: krich95	
No. D7-1	
PLOT 1=1	SH. 1 OF 1



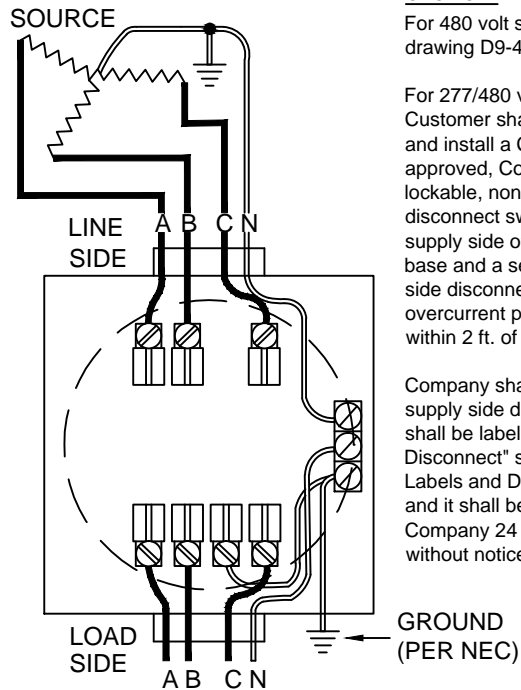
TYPE S
3 WIRE SINGLE PHASE 120/240 VOLTS



TYPE S
3 WIRE SINGLE PHASE 120/208 WYE VOLTS



THREE PHASE 4 WIRE DELTA
120 / 240 VOLTS



THREE PHASE 4 WIRE WYE
120 / 208 or 277/480 VOLTS

CAUTION:

For 480 volt service, see drawing D9-4.


For 277/480 volt service, Customer shall furnish and install a Company approved, Company lockable, non fused disconnect switch on the supply side of the meter base and a separate load side disconnect with overcurrent protection within 2 ft. of the meter.

Company shall control the supply side disconnect. It shall be labeled "Utility Disconnect" see §1.5 Labels and Disconnects and it shall be available to Company 24 hours a day without notice.

NOTES:

1. Ungrounded Conductor with the Higher Voltage to Ground (Phase marked C) must be marked orange.
2. All sockets, except residential single phase less than 320 Amps, shall have a manual mechanical gang operated bypass switch.
3. Load and supply wires shall not cross in the meter socket.

2	06/15/17	Revised notes as needed.	ERG
1	01/13	REVISION OF DRAWING SS11.8-1	JED
NO.	DATE:	REVISION	BY: APPR:

ENTERGY SERVICES, INC. WIRING DIAGRAM CONNECTIONS FOR OVERHEAD SELF CONTAINED METERS			
APPROVED BY: JRH	DATE: 01/14/2013		
CHECKED BY: JED	SCALE: NONE		
DRAWN BY: krich95			
		No. D9-2	
PLOT 1=1	SH. 1 OF 2		